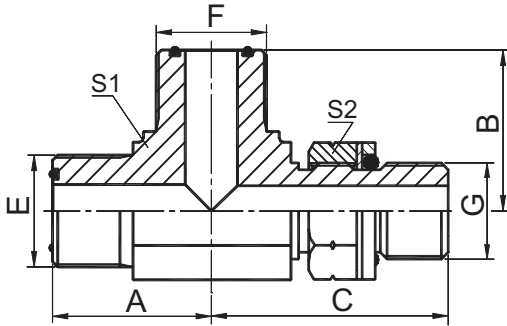


# 过渡接头 ADAPTER



## AFFG-OG

美制 ORFS 外螺纹  
 O 形圈平面密封 / 英管外螺纹 O 形圈三通  
 ORFS MALE O-RING / BSPMALE  
 O-RING RUN TEE

代号 PART NO.	螺纹 THREAD			O 形圈 O-RING			尺寸 DIMENSIONS				
	E	F	G	E 端	F 端	G 端	A	B	C	S1	S2
AFFG-04OG	9/16"X18	9/16"X18	G1/4"X19	O011	O011	O111	23	23	31.3	14	19
AFFG-04-04-06OG	9/16"X18	9/16"X18	G3/8"X19	O011	O011	O113	23.5	23.5	35.5	16	22
AFFG-06-06-04OG	11/16"X16	11/16"X16	G1/4"X19	O012	O012	O111	27	27	33.5	19	19
AFFG-06OG	11/16"X16	11/16"X16	G3/8"X19	O012	O012	O113	27.5	27.5	36.8	19	22
AFFG-08-08-06OG	13/16"X16	13/16"X16	G3/8"X19	O014	O014	O113	31	31	39.5	22	22
AFFG-08OG	13/16"X16	13/16"X16	G1/2"X14	O014	O014	O115	31	31	43.2	22	27
AFFG-10-10-12OG	1"X14	1"X14	G3/4"X14	O016	O016	O119	36.5	36.5	49.3	27	32
AFFG-12OG	1.3/16"X12	1.3/16"X12	G3/4"X14	O018	O018	O119	41.5	41.5	53.5	30	32
AFFG-16OG	1.7/16"X12	1.7/16"X12	G1"X11	O021	O021	O217	44.5	44.5	56	36	41

注: G 端与 DIN3852 油口相配。 Note: G end is connected with DIN 3852 port.